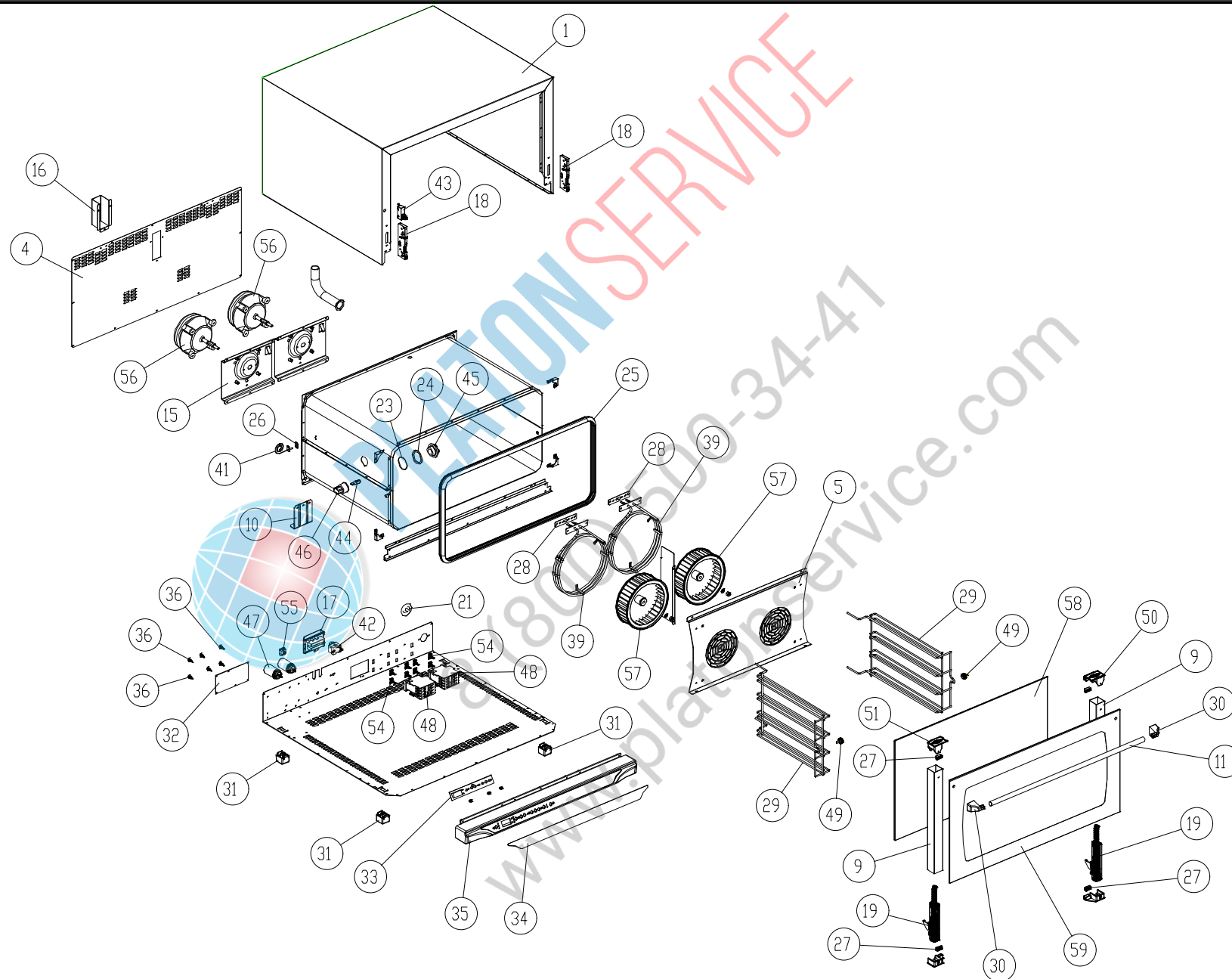


# MOD: XF190

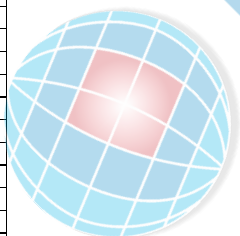
## EXPLODED VIEW DISEGNO ESPLOSO



### DESCRIZIONE CODICI

1	OD1285D0	
4	OF1095B0	
5	OG1125B1	CARTER ARIA INOX L.M. ROSSELLA
9	OH1425B0	COLONNINA SX/DX L.M. ARIA-ROSSEL 40x40x1
10	OH1455A1	STAFFA SOSTEGNO MUFFOLA L.M.
11	OH1930B0	TUBO MANIGLIA L=718 Ø18x1
15	OH2015A1	PROFILO SOSTEGNO MOTORE XV203G/403G L.M.
16	VM1065A0	CUFFIA COPRI CAMINO FUJMI L.M.
17	CE1130A1	CAVO 5X1,5MMQ.H07RN-F L=1,5M + MORS.K1/6
18	CR1000A0	ATTACCO CERNIERA PORTA FORNO RIBALTA
19	CR1050A1	CERNIERA PORTA FORNO RIBALTA XVC104-LM
21	VM1130A0	TAPPO PVC NERO DEST=38.2 DINT=31.5
23	GN1055A0	OR 46x2 VMQ 70 ROSSO
24	GN1065A1	GUARNIZIONE PORTALAMPADA DE=53.2
25	GN1110A2	GUARNIZIONE PORTA PROFILO 248
26	GN1120A0	GUARNIZIONE SONDA DI TEMPERATURA NTC
27	GN1265A0	GUARNIZIONE VETRO INTERNO XVC054/104
28	GN1327A0	GUARNIZIONE RES. 100X22
29	GRL1025A0	GRIGLIA LATERALE DX/SX CROMATA
30	MG1015B0	TERMINALE MANIGLIA L.MISS/L.MICRO/CHEFTO
31	PD1001A0	PIEDINO 35X35 H26 PLASTICA+GOMMA GRIGIO
32	PE1170B0	SCHEDA POTENZA L.M. CLASSIC 230V
33	PE1165B3	SCHEDA CONTROLLO L.M. CLASSIC
34	MS1005A0	MASCHERINA SERIGRAFATA CLASSIC LM 800
35	PE1315A0	CRUSCOTTO COMANDI IN PLASTICA L.M. 800
36	PE1345A1	DISTANZIALE NYLON INCASTRO MASCHIO-INCAS
39	RS1090A1	RESISTENZA CIRCOLARE D=230 3 SPIRE
41	TR1095A0	SONDA TEMPERATURA NTC 150 L=1050
42	TR1136A0	TERMOSTATO SIC. UNIP. 330°C
43	VE1295A0	MICROINTERRUTTORE PORTA MK 16A 230V UL
44	VE1005A3	LAMPADA HALOPIN 25W
45	VT1195A0	VETRO COPRILAMPADA BOROSILICATO TEMPRATO
46	VE1015A1	PORTA LAMPADA SERIE 2 PER LAMPADA
47	CN1000A0	CONDENSATORE 5UF 450V
48	VE1095A0	TELERUTTORE GE 25A 230V 50/60
49	VI1035A1	NOTTOLINO M6x12,5 CON TAGLIO OTT.CROM.FE
50	VM1045B0	TAPPO SUP. DX COLONNINA PORTA
51	VM1046B0	TAPPO SUP. SX COLONNINA PORTA
54	VM1075A1	CLIP DI FISSAGGIO PER TELERUTTORI
55	VM1750A0	MORSETTIERA A PETTINE

56	VN1000B0	MOTORE COND.5uF 200W ALB.M8 CONN.5 POLI
57	VN1025A2	VENTOLA D=196 H=61 38 PALE INOX DADO M8
58	VT1070B0	VETRO INTERNO 715X415X6 BETFL
59	VT1072A0	VETRO ESTERNO SER. GRIGIO 798X424X5



PLATON SERVICE  
8 (800) 500-34-47  
www.platonservice.com

# MOD: XF190

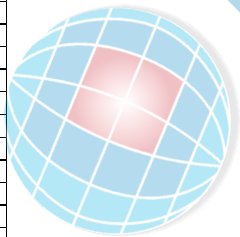
## EXPLODED VIEW DISEGNO ESPLOSO



### DESCRIPTION

1	OD1285D0	
4	OF1095B0	
5	OG1125B1	STAINLESS STEEL FAN GUARD L.M. ROSSELLA
9	OH1425B0	LEFT/RIGHT DOOR COLUMN L.M. ARIANNA-ROS
10	OH1455A1	LINE MISS CHAMBER HOLDING BRACKET
11	OH1930B0	
15	OH2015A1	MOTOR SUPPORT PROFILE XV203G/403G/L.M.
16	VM1065A0	PLASTIC COVER FOR FUMES CHIMNEY L.M.
17	CE1130A1	CABLE 5x1,5MMQ.H07RN-F L=1,5M
18	CR1000A0	HINGE LATCH L.M.
19	CR1050A1	DOOR HINGE XVC104-LM ROSSELLA
21	VM1130A0	
23	GN1055A0	OR 46x2 VMQ 70 RED
24	GN1065A1	SEAL FOR LAMP GLASS COVER IPURE
25	GN1110A2	DOOR GASKET PROFILE 248 LINE MISS-XCH030
26	GN1120A0	TEMPERATURE PROBE NTC SEAL
27	GN1265A0	INTERNAL GLASS SEAL XVC054/104
28	GN1327A0	HEATING ELEMENT GASKET 100X22X0.8
29	GRL1025A0	RIGHT/LEFT LAT. GRID CHROMIUM-PLATED
30	MG1015B0	L.MISS/L.MICRO/CHEFTOP HANDLE TERMINALS
31	PD1001A0	FOOT 35X35 H26 GREY PLASTIC+RUBBER
32	PE1170B0	POWER BOARD L.M. CLASSIC 230V
33	PE1165B3	CONTROL BOARD L.M. CLASSIC SERIE
34	MS1005A0	
35	PE1315A0	PLASTIC CONTROL PANEL L.M. 800
36	PE1345A1	NYLON SPACER MALE-MALE H=14
39	RS1090A1	CIRC.HEAT. ELEMENT D=230 3 TURNS
41	TR1095A0	TEMPERATURE PROBE NTC 150 L=1050
42	TR1136A0	SAFETY THERMOSTAT UNIP. 330°C
43	VE1295A0	DOOR MICROSWITCH MK 16A 230V UL
44	VE1005A3	HALOGEN LAMP 33W ENERGY SAVER
45	VT1195A0	BOROSILICATE LIGHT BULB GLASS COVER
46	VE1015A1	LAMP HOLDER SERIE 2 FOR HALOGEN LAMP
47	CN1000A0	CONDENSER 5UF 450V
48	VE1095A0	REMOTE CONTROL SWITCH GE 25A 230V
49	VI1035A1	CHROMIUM PLATED BRASS NUT M6x12,5
50	VM1045B0	RIGHT UPPER LID FOR COLUMN FOR
51	VM1046B0	LEFT UPPER LID FOR COLUMN FOR
54	VM1075A1	PLASTIC CLIP TO FIX CONTACTORS
55	VM1750A0	TERMINAL BOARD

56	VN1000B0	MOTOR COND.5UF 200W ALB.M8 CONN.5
57	VN1025A2	FAN D=196 H=61 38 BLADES STAINLESS
58	VT1070B0	INTERNAL GLASS 715x415x6 BTFL
59	VT1072A0	



PLATON SERVICE  
8 (800) 500-34-47  
www.platonservice.com

**MOD: XF190**

**EXPLODED VIEW  
DISEGNO ESPLOSO**



**PLATON SERVICE**

8 (800) 500-34-41

[www.platonservice.com](http://www.platonservice.com)